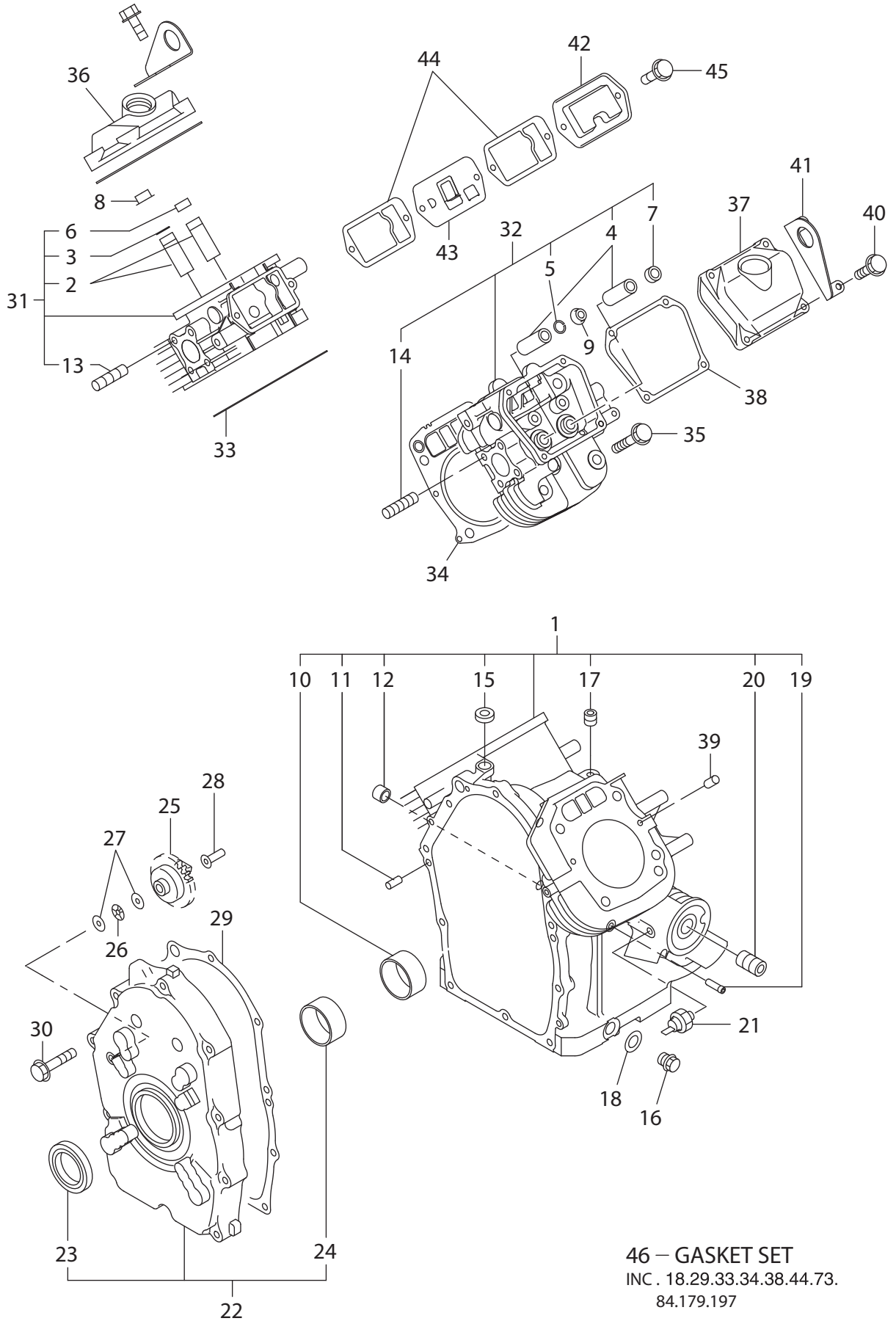
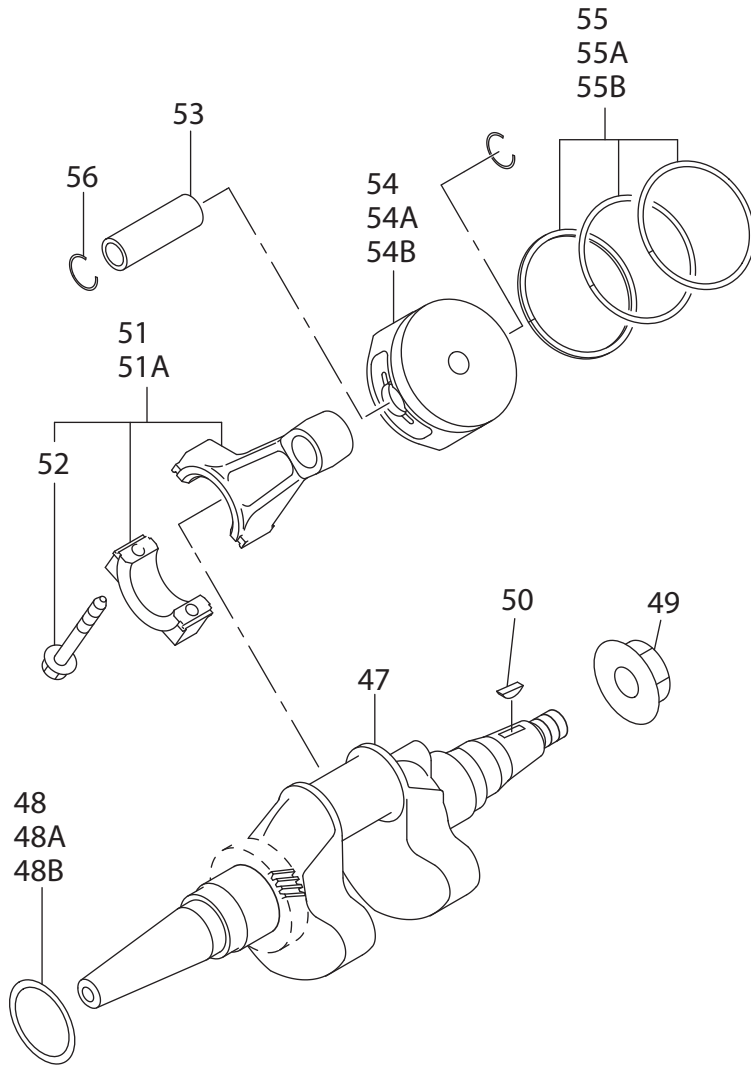


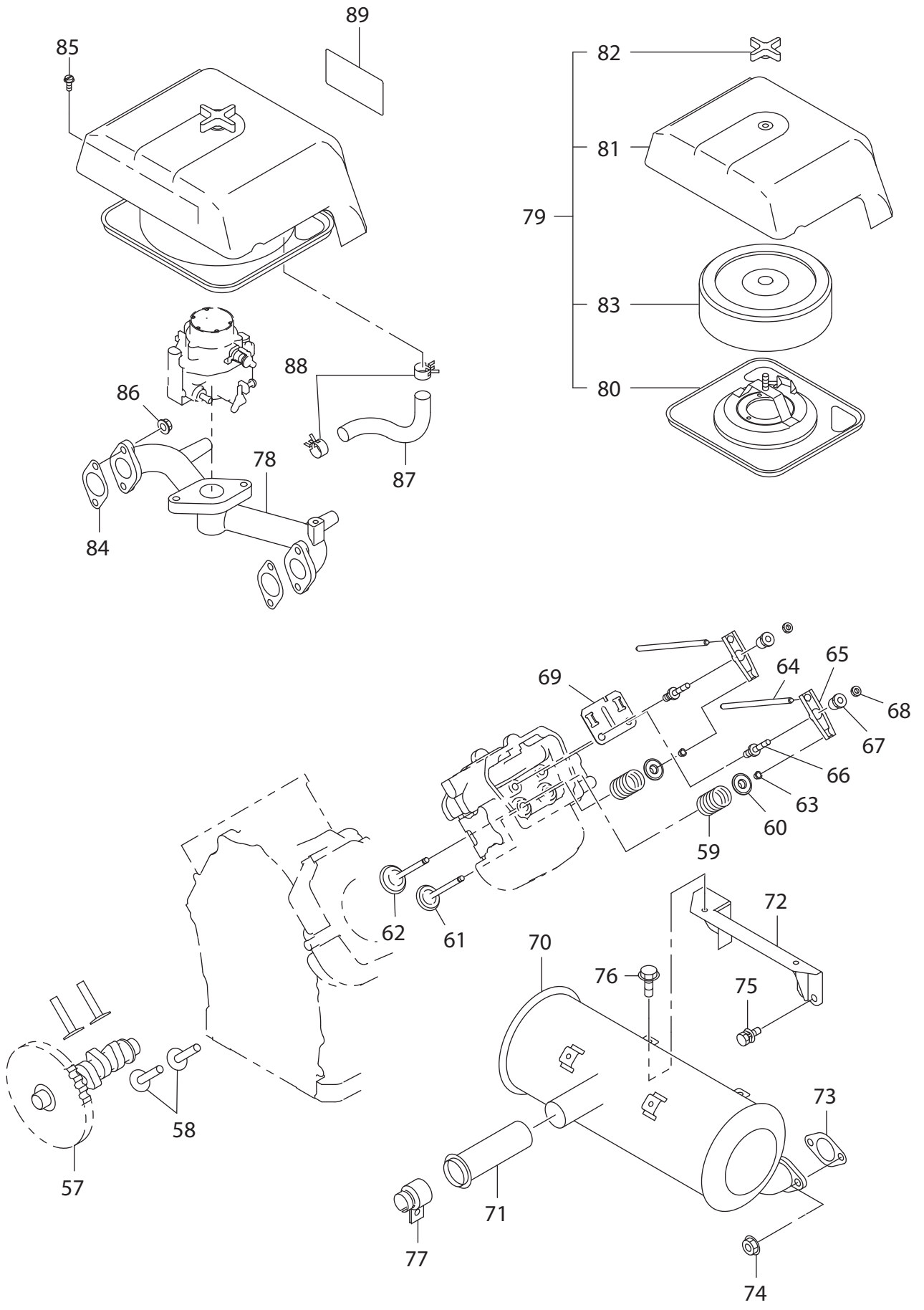


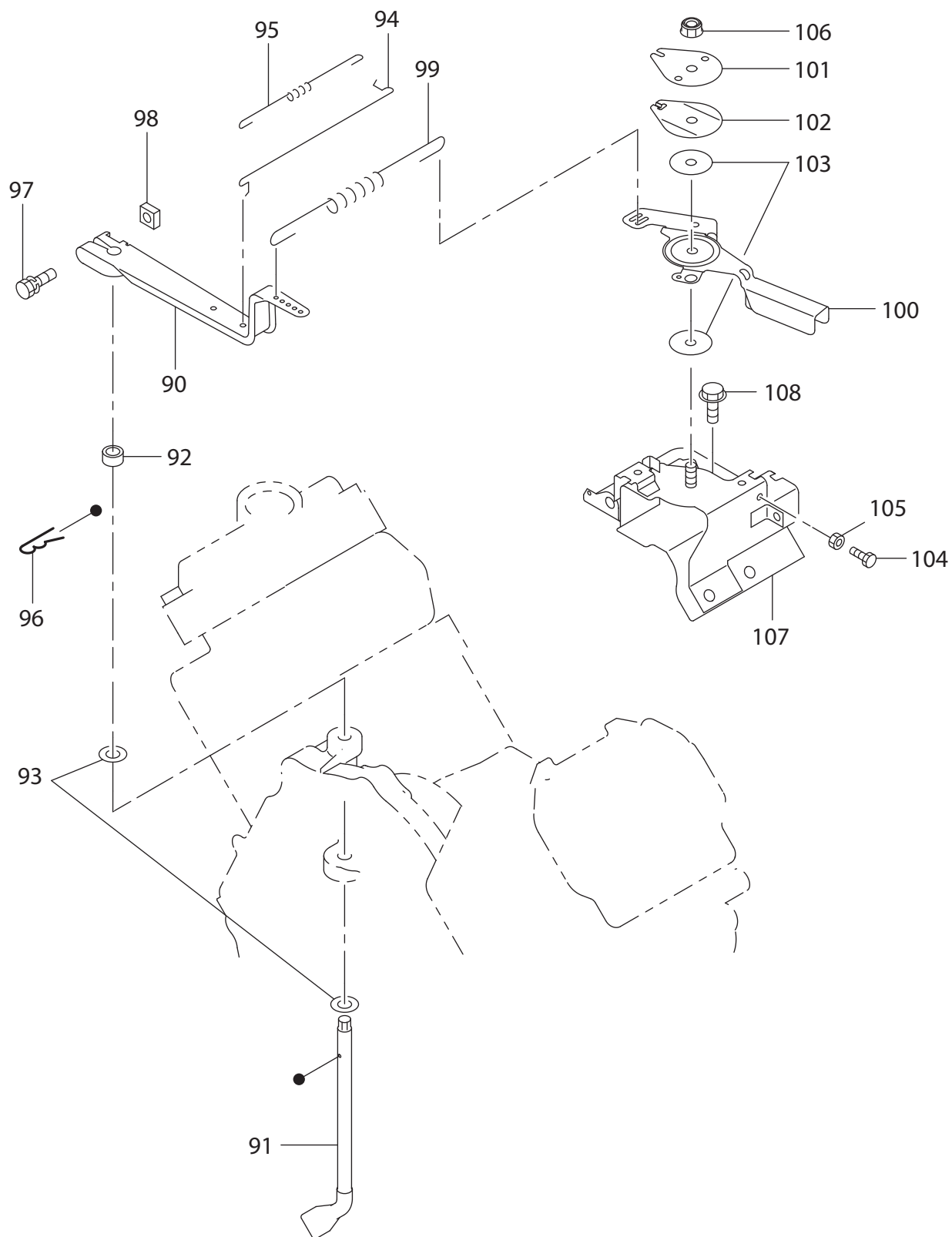
11 - 2010
G12000R
GENERATOR 12000 WATT

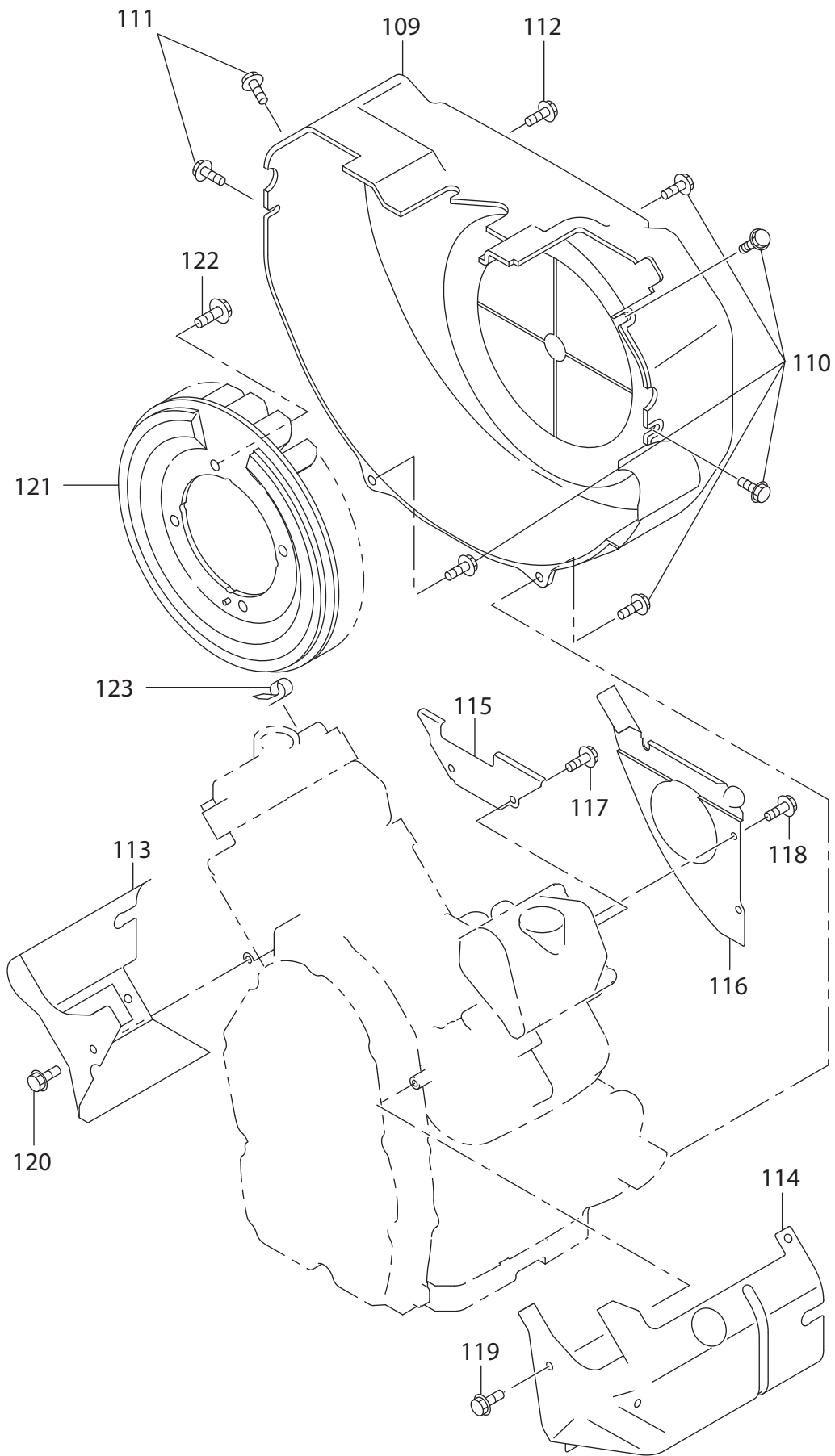


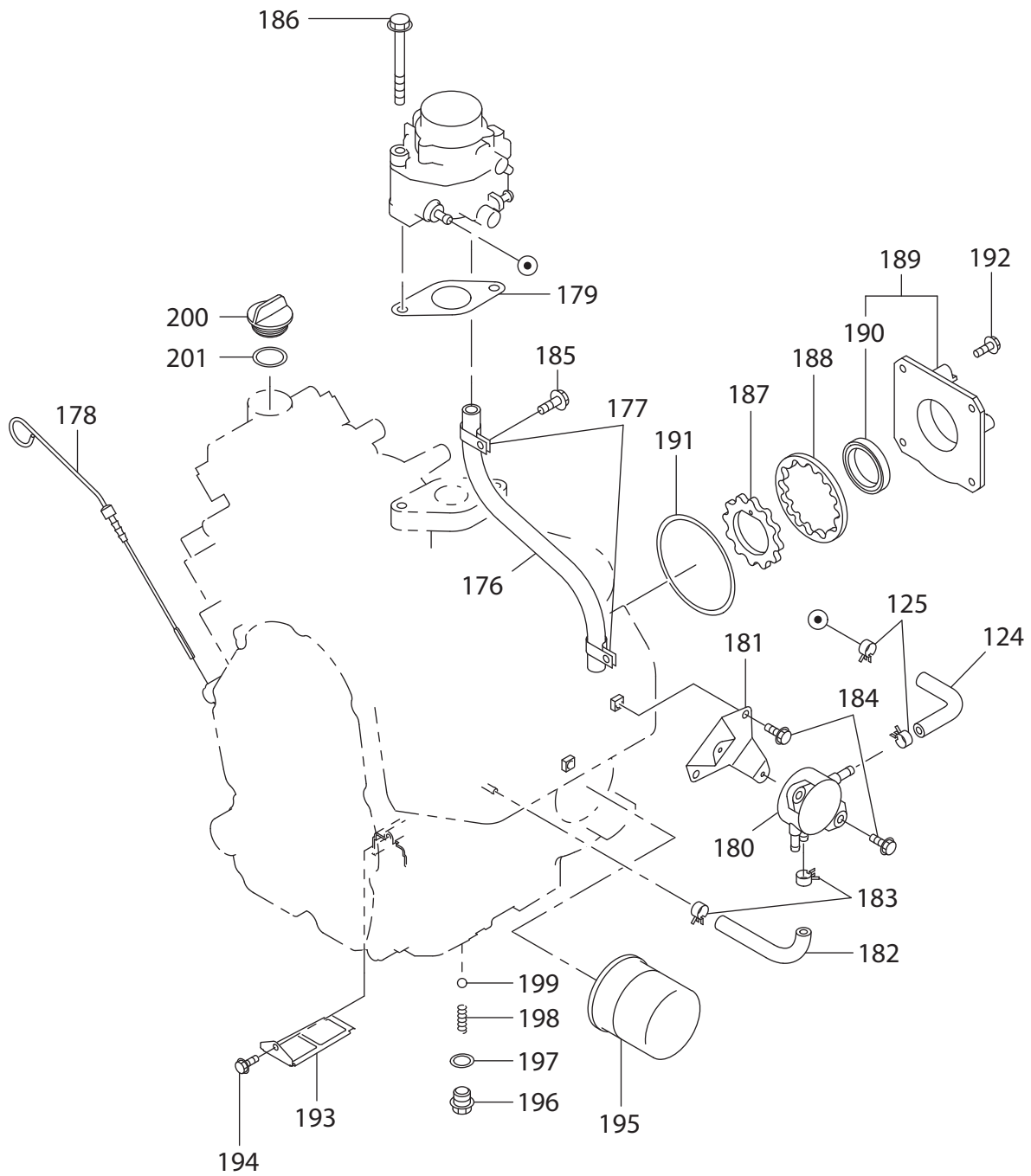
46 – GASKET SET
INC. 18.29.33.34.38.44.73.
84.179.197



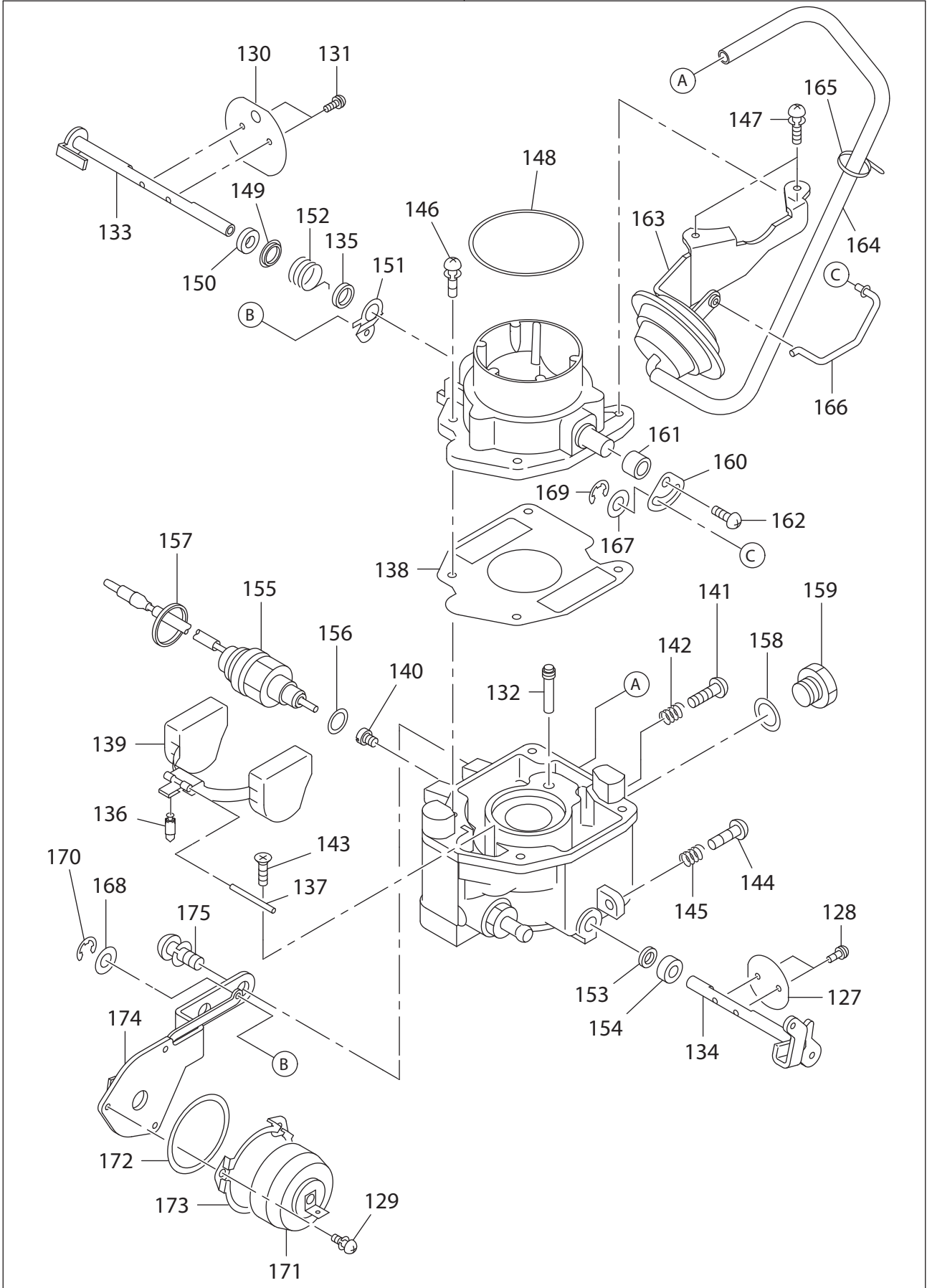


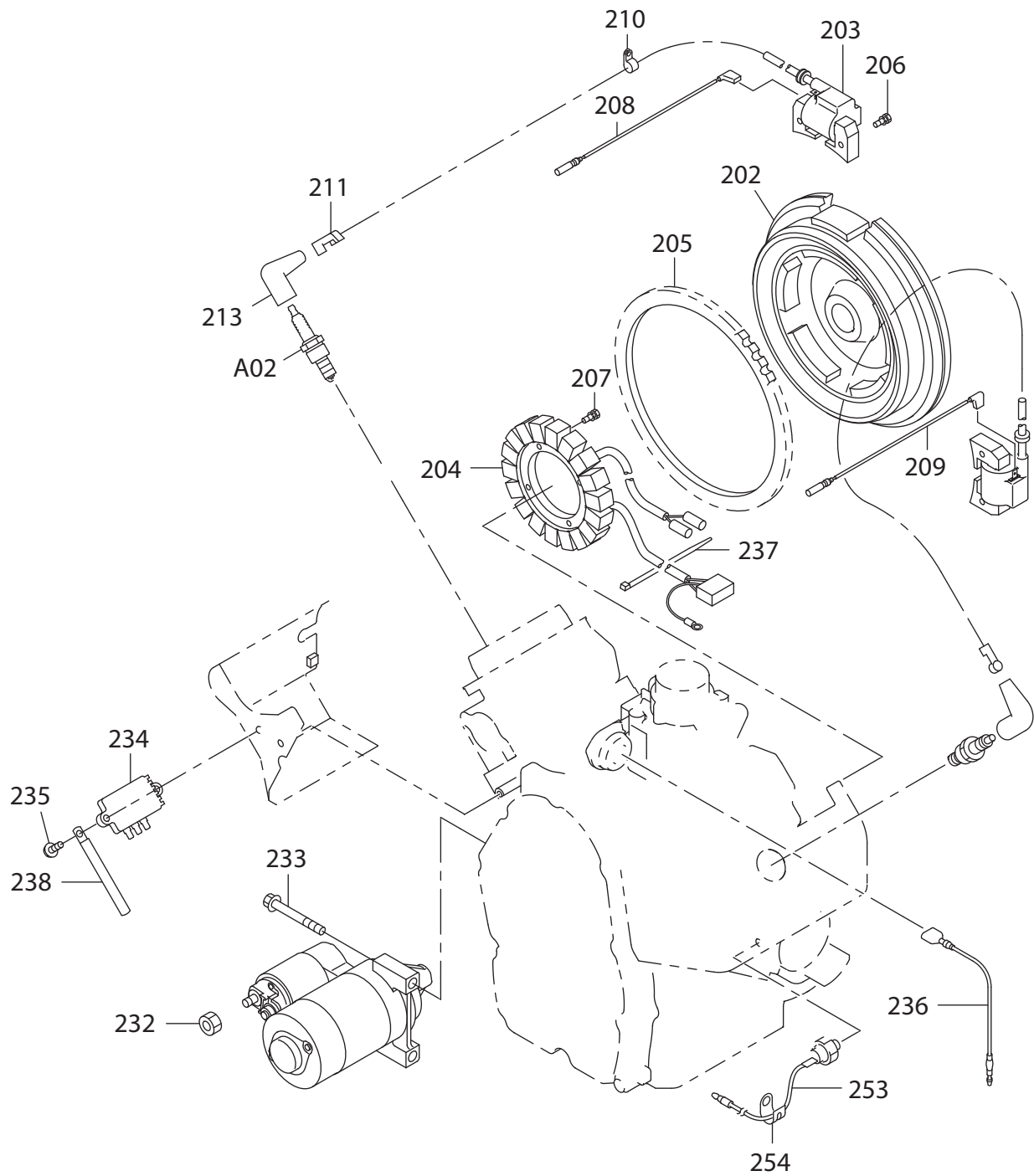




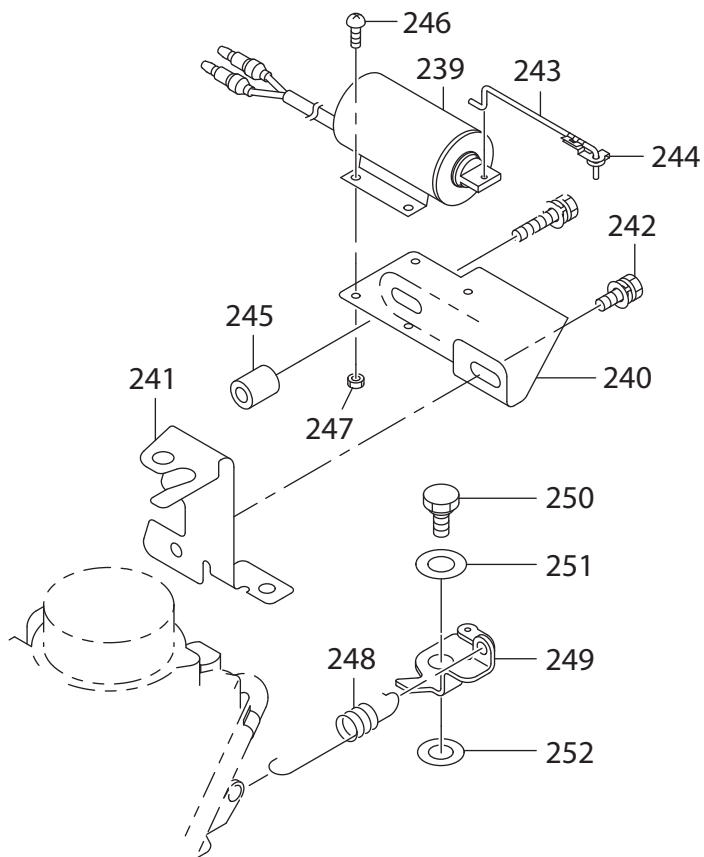
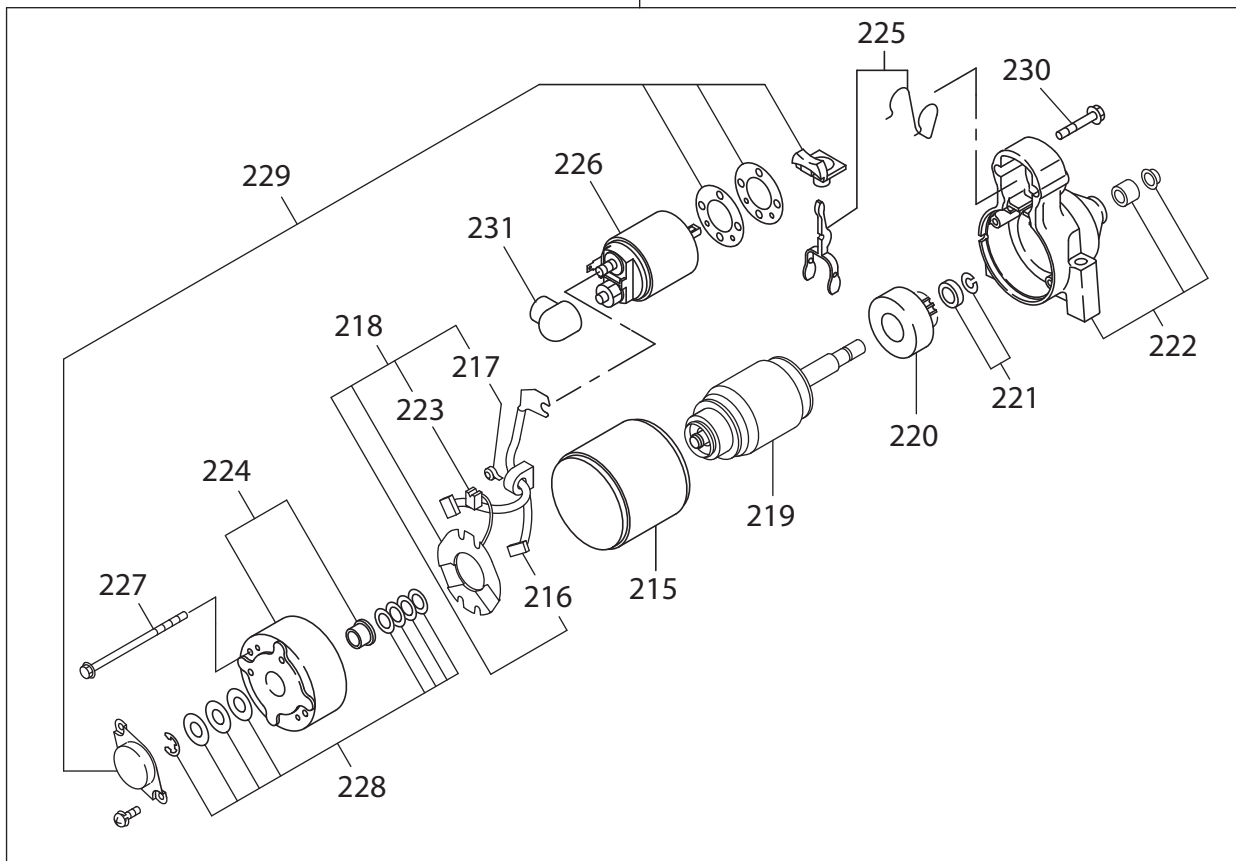


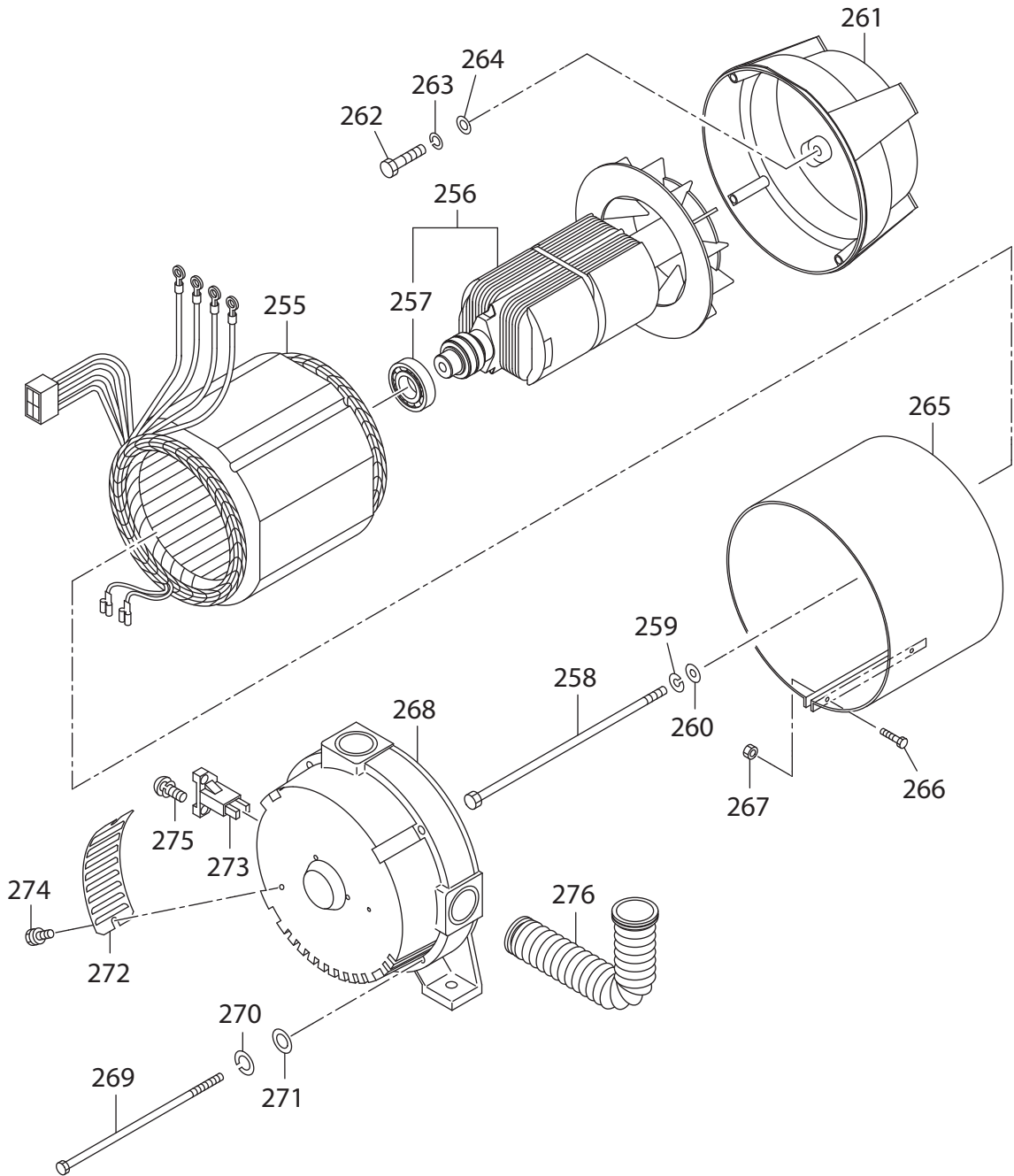
126

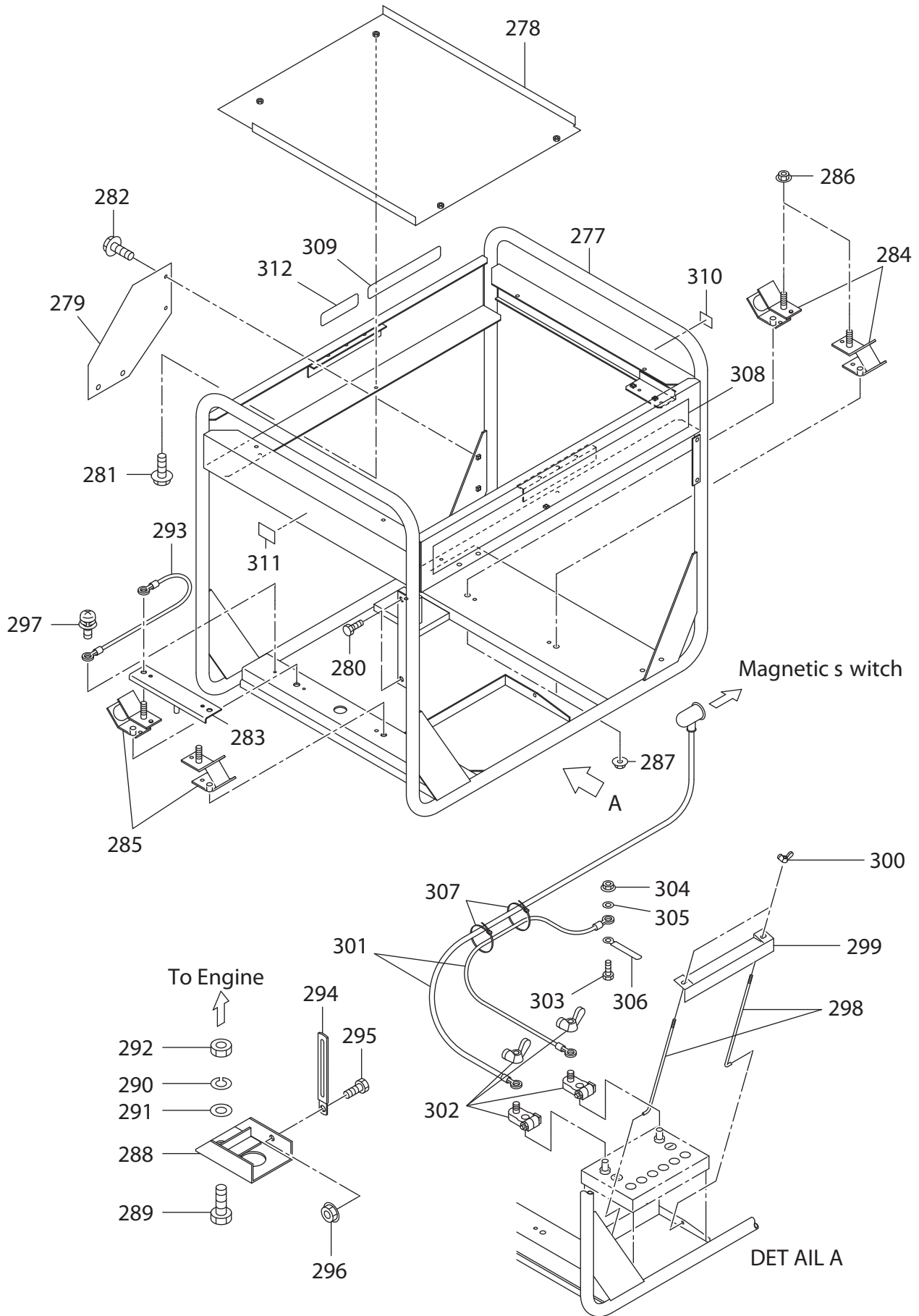




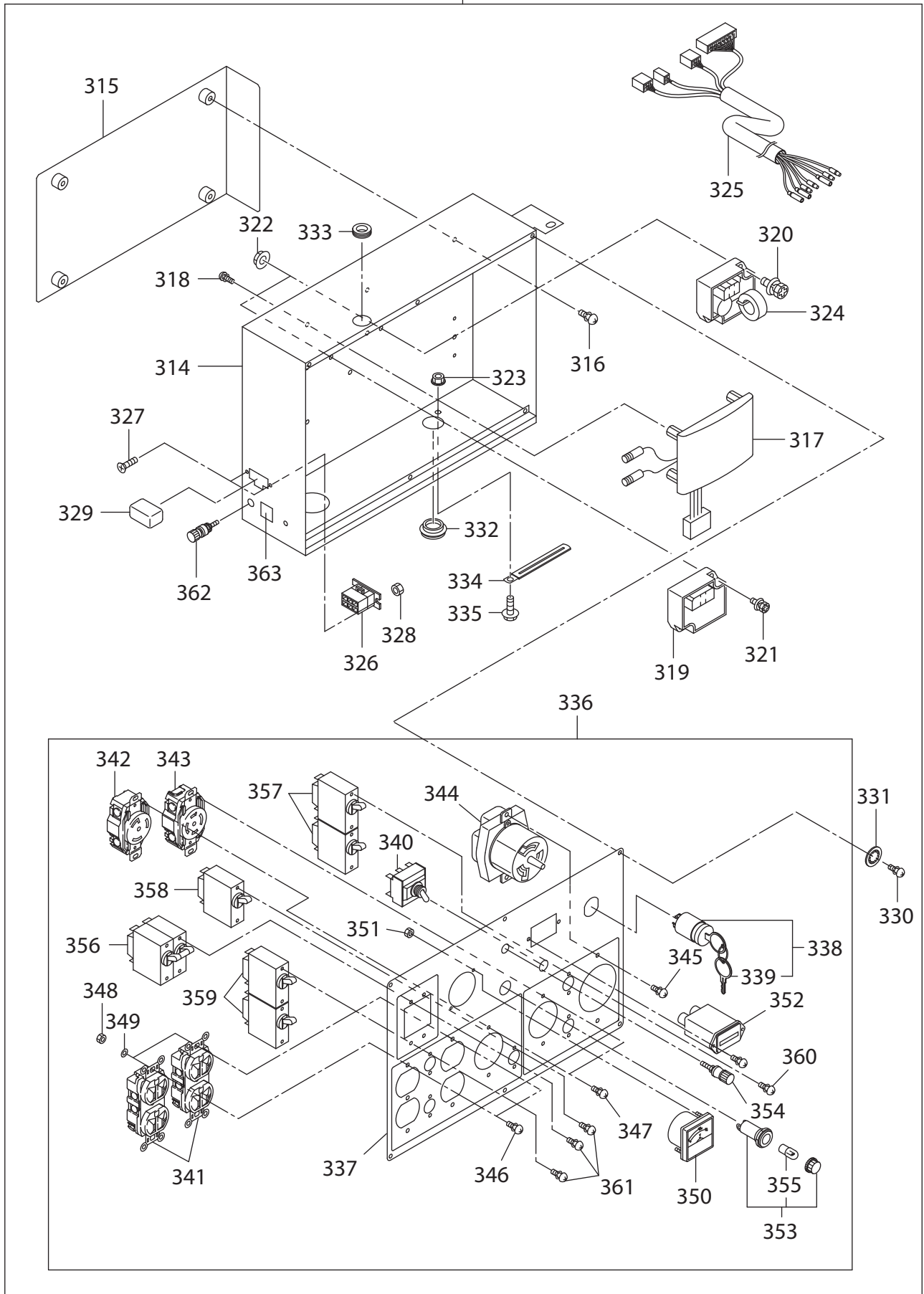
214

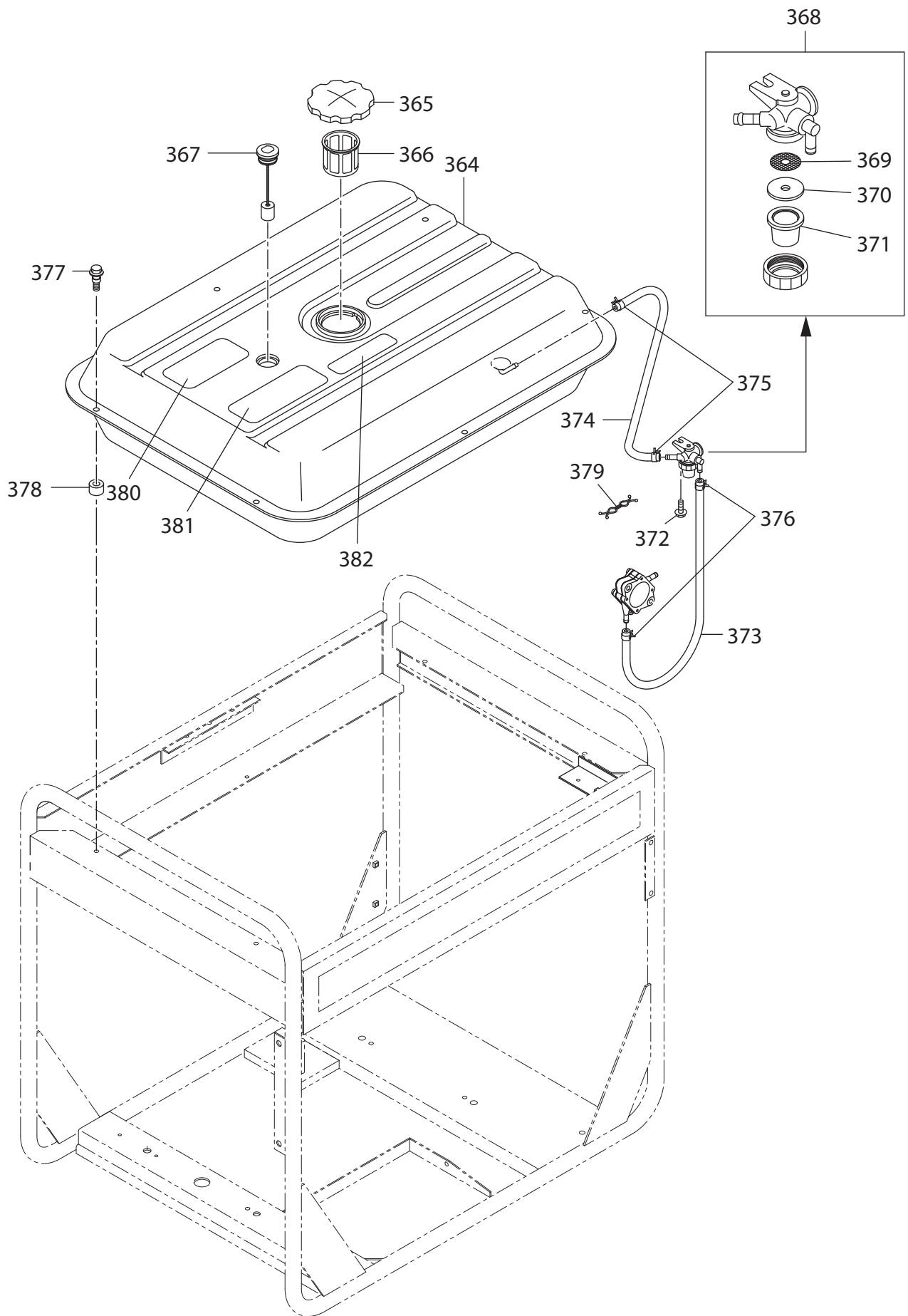


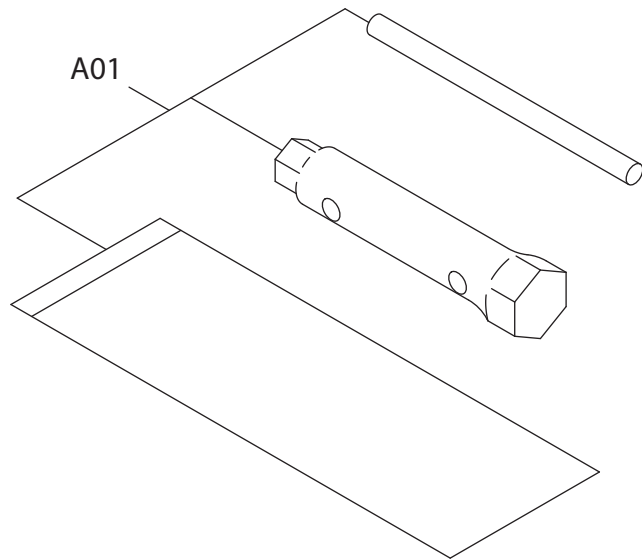




313







Item No	Type	Ref	Part No	Description	Qty	Unit
1			263-10111-01	CRANKCASE CPL	1	PC.
		INC.		Item No.10-12,15,17,19,20		
2			263-14211-03	VALVE GUIDE(OVER SIZE)	2	PC.
3			056-51000-50	CLIP	1	PC.
4			263-14211-03	VALVE GUIDE(OVER SIZE)	2	PC.
5			056-51000-50	CLIP	1	PC.
6			132-07AA0-50	SEAL, INTAKE VALVE	1	PC.
7			132-07AA0-50	SEAL, INTAKE VALVE	1	PC.
8			263-35341-03	RETAINER PLATE	1	PC.
9			263-35341-03	RETAINER PLATE	1	PC.
10			263-15802-03	MAIN BEARING	1	PC.
11	1		005-26081-80	DOWEL PIN	2	PC.
	2		031-00801-00	DOWEL PIN	2	PC.
12			142-55601-03	PIPE	2	PC.
13			010-50802-90	STUD	4	PC.
14			010-50802-90	STUD	4	PC.
15			044-00800-10	OIL SEAL	1	PC.
16			040-11400-30	PLUG	2	PC.
17			235-15421-03	BLIND PLUG	1	PC.
18			021-11400-20	GASKET	2	PC.
19			159-65401-03	PIPE(PULSE)	1	PC.
20			263-15901-03	UNION	1	PC.
21			248-76301-01	SWITCH,OIL PRESSURE	1	PC.
22			263-11101-21	MAIN BEARING COVER CPL	1	PC.
		INC.		Item No.23,24		
23			044-04200-30	OIL SEAL	1	PC.
24			263-15802-03	MAIN BEARING	1	PC.
25			263-45003-01	GOVERNOR GEAR CPL	1	PC.
26			263-46215-A3	THRUST BEARING	1	PC.
27			263-46214-A3	WASHER	2	PC.
28	1		277-41901-03	GOVERNOR SLEEVE - N/L/A	1	PC.
	2		277-41902-01	GOVERNOR SLEEVE COM	1	PC.
29			263-16002-A3	GASKET	1	PC.
30			011-00802-20	FLANGE BOLT	10	PC.
31			263-13211-01	CYLINDER HEAD 1 CPL	1	PC.
		INC.		Item No.2,3,6,13		
32			263-13311-01	CYLINDER HEAD 2 CPL	1	PC.
		INC.		Item No.4,5,7,14		
33			263-15021-11	GASKET 1	1	PC.
34			263-15121-01	GASKET 2	1	PC.
35			011-01000-70	FLANGE BOLT	8	PC.
36			280-15501-A3	ROCKER COVER	1	PC.
37			263-15501-A3	ROCKER COVER	1	PC.
38			263-16101-A3	GASKET	2	PC.
39			031-00600-20	DOWEL PIN	4	PC.
40			011-00601-01	FLANGE BOLT	8	PC.
41			280-19001-A3	HOOK	2	PC.
42			263-14301-03	BREATHER COVER	1	PC.
43			280-14401-A1	BREATHER PLATE CPL	1	PC.
44			263-16006-03	GASKET	2	PC.
45			011-00600-30	FLANGE BOLT	2	PC.
46			263-99001-27	GASKET SET	1	PC.
		INC.		Item No.18,19,33,34,38,44,73,84,179,197		
47			263-21201-11	CRANKSHAFT CPL	1	PC.
48			263-25012-A3	SPACER	1	PC.
048A			263-25013-A3	SPACER	1	PC.
048B			263-25014-A3	SPACER	1	PC.

Item No	Type	Ref	Part No	Description	Qty	Unit
49			018-01800-10	FLANGE NUT	1	PC.
50			005-32054-01	WOODRUFF KEY	1	PC.
51			263-22601-00	CONNECTING ROD ASSY	2	PC.
		INC.		Item No.52		
051A			263-22602-00	CONNECTING ROD ASSY U.SIZE	2	PC.
		INC.		Item No.52		
52			001-05084-00	FLANGE BOLT	4	PC.
53			263-23301-03	PISTON PIN	2	PC.
54			263-23401-03	PISTON,STD	2	PC.
054A			263-23402-03	PISTON,0.25 O.S.	2	PC.
054B			263-23403-03	PISTON,0.50 O.S.	2	PC.
55			263-23501-17	PISTON RING SET,STD	2	PC.
055A			263-23502-17	PISTON RING SET,0.25 O.S.	2	PC.
055B			263-23503-17	PISTON RING SET,0.50 O.S.	2	PC.
56			056-52100-20	CLIP	4	PC.
57			280-31701-13	CAM SHAFT	1	PC.
58			263-33301-A3	TAPPET	4	PC.
59			246-33611-03	VALVE SPRING	4	PC.
60			246-33711-13	SPRING RETAINER	4	PC.
61			263-33401-03	INTAKE VALVE	2	PC.
62			263-33502-13	EXHAUST VAVLE	2	PC.
63			246-35501-03	COLLET-VAVLE	8	PC.
64			263-35321-B1	PUSH ROD CPL	4	PC.
65			267-36101-13	ROCKER ARM	4	PC.
66			261-35801-13	BOLT(PIVOT)	4	PC.
67			267-35701-03	PIVOT	4	PC.
68			017-00601-10	NUT	4	PC.
69			263-37001-A3	GUIDE PLATE	2	PC.
70			263-30102-A1	MUFFLER ASSY	1	PC.
71			263-37321-A2	SPARK ARRESTOR	1	PC.
72			263-37001-A1	BRACKET,MUFFLER	1	PC.
73			270-35201-01	GASKET CPL (MUFFLER)	2	PC.
74			018-00800-10	FLANGE NUT	4	PC.
75			001-14082-00	BOLT & WASHER ASSY	2	PC.
76			011-00600-30	FLANGE BOLT	2	PC.
77			263-37302-A3	CLAMP ASSY	1	PC.
78			280-33001-C3	INTAKE MANIFOLD	1	PC.
79			280-32601-A0	AIR CLEANER ASSY	1	PC.
		INC.		Item No.80-83		
80			280-32620-A1	CLEANER BASE CPL	1	PC.
81			263-32630-03	CLEANER COVER	1	PC.
82			263-32640-01	WING NUT	1	PC.
83			263-32610-A1	CLEANER ELEMENT CPL	1	PC.
84			263-35503-A3	GASKET	2	PC.
85			011-00600-20	FLANGE BOLT	3	PC.
86			002-38080-00	FLANGE NUT	4	PC.
87			263-18003-03	RUBBER PIPE	1	PC.
88			056-12000-20	HOSE CLAMP	2	PC.
89			073-20050-00	MAKITA LABEL	1	PC.
90			263-42301-B3	GOVERNOR LEVER	1	PC.
91			263-42201-A3	GOVERNOR SHAFT	1	PC.
92			X23-00801-50	SPACER	1	PC.
93			003-10080-00	WASHER	2	PC.
94			263-42701-A3	GOVERNOR ROD	1	PC.
95			263-42801-03	ROD SPRING	1	PC.
96			005-11060-01	SNAP PIN	1	PC.
97			001-14063-00	BOLT & WASHER ASSY	1	PC.
98			018-60600-20	NUT	1	PC.

Item No	Type	Ref	Part No	Description	Qty	Unit
99			263-42505-13	GOVERNOR SPRING	1	PC.
100			263-43301-A3	SPEED CONTROL LEVER	1	PC.
101			227-43501-13	STOP PLATE	1	PC.
102			263-45002-03	SPRING WASHER	1	PC.
103			021-70600-30	FRICTION WASHER	2	PC.
104			011-50500-20	BOLT	1	PC.
105			002-27050-00	NUT M5	1	PC.
106			017-60600-20	SELF LOCK NUT	1	PC.
107			263-45011-02	BRACKET NUT	1	PC.
108			011-00600-20	FLANGE BOLT	2	PC.
109			263-51121-B2	BLOWER HOUSING UNIT	1	PC.
110			011-00600-30	FLANGE BOLT	5	PC.
111			011-00601-40	FLANGE BOLT	2	PC.
112			001-11063-50	BOLT & WASHER ASSY	1	PC.
113			263-52612-A1	CYLINDER BAFFLE 1 CPL	1	PC.
114			263-52704-A1	CYLINDER BAFFLE 2 CPL	1	PC.
115			263-52801-03	CYLINDER BAFFLE 3	1	PC.
116			263-52912-A2	CYLINDER BAFFLE 4 UNIT	1	PC.
117			011-00600-20	FLANGE BOLT	2	PC.
118			011-00600-20	FLANGE BOLT	2	PC.
119			011-00600-20	FLANGE BOLT	2	PC.
120			011-00600-20	FLANGE BOLT	2	PC.
121			263-54101-02	COOLING BLOWER NUT	1	PC.
122			001-14061-60	BOLT & WASHER ASSY	4	PC.
123			056-60002-50	CLAMP	1	PC.
124			263-68006-B3	RUBBER PIPE	1	PC.
125			263-68501-03	HOSE CLAMP	2	PC.
126			263-62385-00	CARBURETOR ASSY	1	PC.
		INC.		Item No.127-175		
127			263-62535-08	THROTTLE VALVE	1	PC.
128			261-62352-08	SCREW	2	PC.
129			261-62352-08	SCREW	3	PC.
130			258-62525-08	CHOKE VALVE	1	PC.
131			258-62555-08	SCREW	2	PC.
132			258-62420-08	SLOW JET	1	PC.
133			263-62523-08	CHOKE SHAFT ASSY	1	PC.
134			263-62534-08	THROTTLE SHAFT ASSY	1	PC.
135			258-62551-08	CHOKE LEVER RING	1	PC.
136			226-62501-08	FLOAT VALVE	1	PC.
137			258-62515-08	FLOAT PIN	1	PC.
138			280-62545-08	GASKET	1	PC.
139			280-62505-08	FLOAT	1	PC.
140			263-62400-08	MAIN JET	1	PC.
141			215-62353-08	DRAIN SCREW	1	PC.
142			215-62446-08	SPRING,DRAIN SCREW	1	PC.
143			258-62556-08	SCREW, FLOAT PIN SET	1	PC.
144			263-62451-08	SCREW	1	PC.
145			258-62445-08	SPRING	1	PC.
146			258-62450-08	SCREW	2	PC.
147			263-62584-08	SCREW	2	PC.
148			263-62560-08	O RING	1	PC.
149			280-62551-08	COLLAR	1	PC.
150			258-62554-08	FILTER	1	PC.
151			263-62527-08	LEVER ASSY	1	PC.
152			263-62447-08	SPRING	1	PC.
153			226-62580-08	AIR FILTER	1	PC.
154			258-62570-08	COLLAR	1	PC.
155			263-62556-08	VALVE CPL	1	PC.

Item No	Type	Ref	Part No	Description	Qty	Unit
156			258-62546-08	GASKET	1	PC.
157			258-62566-08	CLAMP	1	PC.
158			263-62555-08	GASKET	1	PC.
159			263-62552-08	PLUG	1	PC.
160			263-62506-08	ARM	1	PC.
161			263-62591-08	FILTER	1	PC.
162			161-62345-08	SCREW	1	PC.
163			263-62360-08	OPENER ASSY	1	PC.
164			263-62566-08	RUBBER PIPE	1	PC.
165			263-62583-08	CORD BINDER	1	PC.
166			263-62353-08	CHOKE PISTON ROD	1	PC.
167			263-62596-08	WASHER	1	PC.
168			263-62596-08	WASHER	1	PC.
169			107-62377-08	E STOP RING	1	PC.
170			107-62377-08	E STOP RING	1	PC.
171			107-62376-08	THERMO COVER ASSY	1	PC.
172			107-62373-08	GASKET	1	PC.
173			107-62375-08	SET PLATE	1	SET
174			263-62562-08	HOLDER CPL	1	PC.
175			263-62589-08	SCREW	2	SET
176			085-10301-10	RUBBER PIPE	1	PC.
177			206-75501-01	CLAMP COM.	2	PC.
178			263-63603-01	OIL GAUGE CPL	1	PC.
179			263-66201-A3	GASKET	1	PC.
180			267-62201-10	FUEL PUMP ASSY	1	PC.
181			263-65002-A3	BRACKET	1	PC.
182			263-68008-B3	RUBBER PIPE	1	PC.
183			263-68501-03	HOSE CLAMP	2	PC.
184			011-00600-20	FLANGE BOLT	3	PC.
185			011-00600-20	FLANGE BOLT	2	PC.
186			011-00801-10	FLANGE BOLT	2	PC.
187			263-63901-03	INNER ROTOR	1	PC.
188			263-63902-03	OUTER ROTOR	1	PC.
189			263-64001-11	OIL PUMP COVER CPL	1	PC.
		INC.		Item No.190		
190			044-03501-70	OIL SEAL	1	PC.
191			X24-08900-30	O RING	1	PC.
192			011-00600-30	FLANGE BOLT	4	PC.
193			263-64302-02	OIL PUMP FILTER UNIT	1	PC.
194			263-65011-A3	FLANGE BOLT	1	PC.
195			248-65801-00	OIL FILTER ASSY	1	PC.
196			263-65001-13	PLUG	1	PC.
197			003-70140-00	GASKET(ALUMINUM)	1	PC.
198			263-66001-03	SPRING	1	PC.
199			006-90308-00	STEEL BALL	1	PC.
200			280-63602-A3	OIL FILTER CAP	1	PC.
201			263-64414-A3	O RING	1	PC.
202			263-77202-11	FLYWHEEL CPL	1	PC.
203			263-78202-11	IGNITION COIL CPL	2	PC.
204			263-79403-D1	CHARGE COIL CPL	1	PC.
205			263-71001-03	RING GEAR	1	PC.
206			001-14062-50	BOLT & WASHER ASSY	4	PC.
207			001-17052-00	BOLT&WASHER ASSY	4	PC.
208			263-73016-01	WIRE 4 CPL	1	PC.
209			263-73017-01	WIRE 5 CPL	1	PC.
210			206-75501-01	CLAMP COM.	1	PC.
211			065-90000-10	PLUG TERMINAL	2	PC.
213			X65-51000-10	SPARK PLUG CAP	2	PC.

Item No	Type	Ref	Part No	Description	Qty	Unit
214			263-70502-A0	STARTING MOTOR ASSY	1	PC.
		INC.		Item No.215,218,219-222,224-231		
215			255-70580-08	YOKE ASSY	1	PC.
216			255-70551-08	BRUSH SET	1	PC.
217			228-70516-08	BRUSH SPRING	4	PC.
218			255-70531-08	BRUSH HOLDER ASSY	1	PC.
219			263-70510-08	ARMATURE ASSY	1	PC.
220			255-70521-08	PINION ASSY	1	PC.
221			210-70534-08	PINION STOPPER SET	1	PC.
222			263-70500-08	GEAR CASE ASSY	1	PC.
223			228-70514-08	BRUSH (-)	2	PC.
224			263-70505-08	REAR COVER ASSY	1	PC.
225			243-70525-08	SHIFT LEVER KIT	1	PC.
226			263-70515-08	MAGNETIC SWITCH ASSY	1	PC.
227			207-70524-08	THROUGH BOLT	2	PC.
228			263-70550-08	THRUST WASHER KIT	1	PC.
229			255-70570-08	DUST COVER KIT	1	PC.
230			263-70551-08	BOLT	2	PC.
231			207-70526-08	RUBBER CAP	1	PC.
232			002-38080-00	FLANGE NUT	1	PC.
233			011-00801-00	FLANGE BOLT	2	PC.
234	2		263-71903-A1	REGULATOR CP (OLD# 263-719903-A1 - N/L/A)	1	PC.
235			011-00601-40	FLANGE BOLT	2	PC.
236			263-73112-01	WIRE 6 CPL	1	PC.
237			056-30000-10	WIRE BAND	4	PC.
238			056-60002-50	CLAMP	2	PC.
239			263-75301-01	WIRE BAND	1	PC.
240			280-75401-01	BRACKET 1 CPL	1	PC.
241			280-75402-01	BRACKET 2 CPL	1	PC.
242			001-14061-20	BOLT&WASHER ASSY	1	PC.
243			263-75442-03	ROD	1	PC.
244			235-44701-03	ROD HOLDER	1	PC.
245			023-00603-50	SPACER	1	PC.
246			014-00300-20	SCREW	4	PC.
247			017-00300-10	NUT	4	PC.
248			263-75462-03	SPRING	1	PC.
249			280-75422-01	LINK 2 CPL	1	PC.
250			226-43101-01	LINK PIVOT CPL	1	PC.
251			021-71000-20	NYLON FRICTION WASHER	1	PC.
252			263-46214-A3	WASHER	1	PC.
253			263-73102-11	WIRE ASSY	1	PC.
254			206-75501-01	CLAMP COM.	2	PC.
255			31G-52024-01	STATOR CPL	1	PC.
256			31G-52001-01	ROTOR CPL	1	PC.
		INC.		Item No.257		
257			333-58206-08	BALL BEARING	1	PC.
258			31F-54002-01	THROUGH BOLT	1	PC.
259			003-20080-00	SPRING WASHER	1	PC.
260			003-10080-00	WASHER	1	PC.
261			31F-53001-03	FRONT BRACKET	1	PC.
262			31F-54001-01	BOLT	4	PC.
263			003-20100-00	SPRING WASHER	4	PC.
264			003-10100-00	WASHER	4	PC.
265			31F-54003-01	STATOR COVER	1	PC.
266			31F-54005-01	BOLT	2	PC.
267			002-17040-00	NUT	2	PC.
268			31G-53012-01	REAR COVER	1	PC.
269			365-58006-08	THROUGH BOLT	4	PC.

Item No	Type	Ref	Part No	Description	Qty	Unit
270			003-20080-00	SPRING WASHER	4	PC.
271			003-10080-00	WASHER	4	PC.
272			31F-54004-01	BRUSH COVER	1	PC.
273			31H-54002-01	BUSH HOLDER	1	PC.
274			356-59953-08	BOLT	2	PC.
275			31G-62001-01	SCREW&WASHER ASSY	2	PC.
276			353-57506-08	BUSHING	1	PC.
277			31G-61002-01	PIPE FRAME CPL	1	PC.
278			31F-61024-01	BAFFLE PLATE	1	PC.
279			31G-61024-01	COVER PLATE	1	PC.
280			011-00600-80	FLANGE BOLT	2	PC.
281			011-00600-80	FLANGE BOLT	4	PC.
282			31G-62002-01	FLANGE BOLT	4	PC.
283			31F-61002-01	GENERATOR BASE	1	PC.
284			31F-35001-01	MOUNT CPL	2	PC.
285			31F-35001-01	MOUNT CPL	2	PC.
286			002-38100-00	FLANGE NUT	4	PC.
287			002-38100-00	FLANGE NUT	4	PC.
288			31F-61022-01	STOPPER PLATE	1	PC.
289			001-66104-00	BOLT	1	PC.
290			003-20100-00	SPRING WASHER	1	PC.
291			003-10100-00	WASHER	1	PC.
292			002-17100-00	NUT	1	PC.
293			31F-62018-01	EARTH CORD	1	PC.
294			056-60002-50	CLAMP	1	PC.
295			011-00600-20	FLANGE BOLT	1	PC.
296			002-38060-00	FLANGE NUT	1	PC.
297			392-49987-08	SCREW	1	PC.
298			978-21611-20	ROD	2	PC.
299			31F-33001-01	BATTERY STAY CPL	1	PC.
300			002-41060-00	WING NUT	2	PC.
301			31F-74016-01	WIRE CABLE SET	1	PC.
302			31F-32001-03	BATTERY TERMINAL	1	PC.
303			001-66084-50	BOLT	1	PC.
304			002-38080-00	FLANGE NUT	1	PC.
305			003-10080-00	WASHER	1	PC.
306			056-60001-70	CLAMP	1	PC.
307			056-30000-60	WIRE BAND	5	PC.
309			31G-81050-03	LABEL(SPEC)	1	PC.
310			073-20050-80	LABEL(F/STRAINER)	1	PC.
311			073-20048-60	LABEL(HOT&GAS)	1	PC.
312			31G-81027-03	LABEL(NOISE)	1	PC.
313			31G-71025-00	CONTROL BOX ASSY	1	PC.
		INC.		Item No.314-336		
314			31G-73025-01	CONTROL BOX UNIT	1	PC.
315			31F-73007-01	PLATE	1	PC.
316			366-49997-08	SCREW&WASHER ASSY	4	PC.
317	1		31G-74016-01	AVR ASSY - N/L/A	1	PC.
	2		31G-74023-01	AVR ASSY	1	PC.
318			392-49986-08	SCREW & WASHER ASSY	4	PC.
319	1		KU3-11062-21	* ECU(O/S&R/S)CPL	1	PC.
	2		KU3-11062-41	ECU(O/S&R/S)CPL	1	PC.
320			004-36062-00	SCREW & WASHER ASSY	2	PC.
321			004-36062-00	* SCREW & WASHER ASSY	1	PC.
322			002-38060-00	FLANGE NUT	4	PC.
323			002-38060-00	FLANGE NUT	1	PC.
324			KU3-11055-01	IDLE CONTROL UNIT CPL	1	PC.
325			31G-76002-03	WIRE CPL	1	PC.

Item No	Type	Ref	Part No	Description	Qty	Unit
326			353-47200-08	CONNECTOR	1	PC.
327			004-35041-00	SCREW & WASHER ASSY	2	PC.
328			002-17040-00	NUT	2	PC.
329			31G-49501-03	CONNECTOR CAP	1	PC.
330			351-49920-08	SCREW&WASHER ASSY	6	PC.
331			31B-79003-03	LOCK WASHER	3	PC.
332			389-89001-03	GROMMET	1	PC.
333			024-11500-10	GROMMET	1	PC.
334			056-60002-50	CLAMP	1	PC.
335			011-00600-20	FLANGE BOLT	1	PC.
336			31G-72023-00	CONTROL PANEL ASSY	1	PC.
		INC.		Item No.337,338,340-353,356-361		
337			31G-73034-01	CONTROL PANEL	1	PC.
338			066-00003-30	SWITCH	1	PC.
		INC.		Item No.339		
339			066-00099-80	KEY F/SWITCH 066-00003-30	2	PC.
340			344-45615-08	SWITCH ASSY	1	PC.
341			31G-75020-03	AC RECEPTACLE	2	PC.
342			380-45749-08	AC RECEPTACLE	1	PC.
343			31G-75017-03	AC RECEPTACLE,125/250V-30A	1	PC.
344			31G-75018-03	AC RECEPTACLE, 125/250V-50A	1	PC.
345			351-49920-08	SCREW&WASHER ASSY	2	PC.
346			351-49920-08	SCREW&WASHER ASSY	4	PC.
347			31G-75015-03	SCREW&WASHER ASSY	4	PC.
348			002-17040-00	NUT	6	PC.
349			003-10040-00	WASHER	12	PC.
350	1		391-47900-11	AC VOLT METER	1	PC.
	2		391-47902-01	AC VOLT METER	1	PC.
351			002-17030-00	NUT	2	PC.
352			393-40651-08	HOUR METER, 60HZ	1	PC.
353			393-43101-01	PILOT LAMP CPL	1	PC.
		INC.		Item No.355		
354			31F-75016-03	NEON LAMP	1	PC.
355			393-45006-01	LAMP 18V/0.11A	1	PC.
356			31G-75004-03	BREAKER	1	PC.
357			31G-75014-03	CIRCUIT BREAKER, 1P30A	2	PC.
358			31G-75014-03	CIRCUIT BREAKER, 1P30A	1	PC.
359			31G-75013-03	CIRCUIT BREAKER, 1P20A	2	PC.
360			31B-79011-03	SCREW&WASHER ASSY	4	PC.
361			31B-79011-03	SCREW&WASHER ASSY	10	PC.
362			31B-77510-01	EARTH TERMINAL	1	PC.
363			30G-49106-08	LABEL (EARTH)	1	PC.
364			31G-36103-01	FUEL TANK CPL	1	PC.
365			043-05900-11	FUEL TANK CAP ASSY	1	PC.
366			064-15400-11	FUEL FILTER	1	PC.
367			064-80015-00	FUEL GAUGE CPL	1	PC.
368			064-20107-00	FUEL STRAINER ASSY	1	PC.
		INC.		Item No.369-371		
369			064-20002-20	FILTER	1	PC.
370			064-20030-30	RUBBER PACKING	1	PC.
371			064-20036-10	CUP	1	PC.
372			011-00600-30	FLANGE BOLT	1	PC.
373			085-10607-40	RUBBER PIPE	1	PC.
374			085-10610-40	RUBBER PIPE	1	PC.
375			056-11100-20	HOSE CLAMP	2	PC.
376			056-11100-20	HOSE CLAMP	2	PC.
377			011-00602-20	BOLT TYPE 2	6	PC.
378			391-39000-13	RUBBER WASHER TYPE 2	6	PC.

Item No	Type	Ref	Part No	Description	Qty	Unit
379			31F-39002-03	PURSE LOCK	1	PC.
380			33B-97102-13	LABEL(CAUTION)	1	PC.
381			31G-81023-03	LABEL(CAUTION)	1	PC.
382			389-59384-08	LABEL (CAUTION)(FR)	1	PC.
383			31G-49502-01	* WIRE HARNESS COMPLETE	1	PC.
384			391-48301-01	* RELAY ASSY	1	PC.
385			001-37060-35	* SCREW M6X35	1	PC.
386			023-00603-30	* SPACER	1	PC.
387			073-20059-70	* LABEL (CAUTION CO GAS)	1	PC.
ACCESSORIES			- See catalogue or visit www.makita.ca for more accessories -			
A01			227-90301-10	ACCESSORY TOOL KIT	1	PC.
A02			065-01402-80	SPARK PLUG	2	PC.
A03			110004-C	WHEEL KIT (See Parts breakdown 110004-C)	1	PC.

SERVICE CHANGES

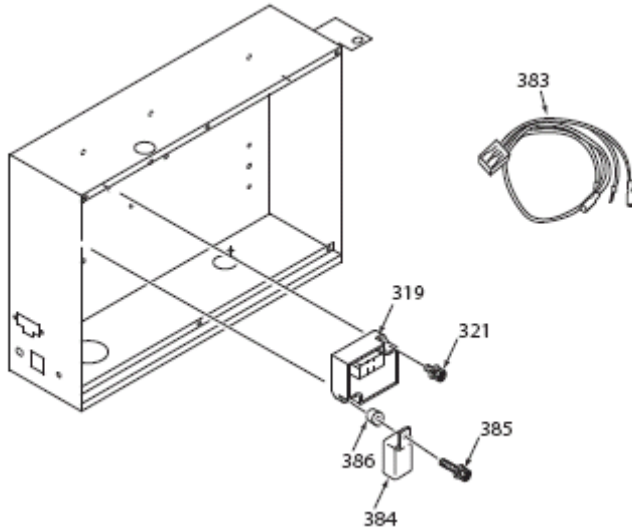
1. Changes on ECU COMPLETE

(T/I# Y05123)

(T/I# Y06343)

Item No.	Description	Type 1	Type 2	Type 3
319	ECU CP	KU3-11062-01 (N/L/A) or KU3-11062-11 (N/A)	KU3-11062-21	KU3-11062-41
321	SCREW M6X20	004-36062-00 (2pcs)	004-36062-00 (1pcs)	-----
383	WIRE HARNESS COM.	-----	31G-49502-01	-----
384	RELAY ASSY	-----	391-48301-01	-----
385	SCREW(M6X35)	-----	001-37060-35	-----
386	SPACER	-----	023-00603-30	-----

Above parts are completely interchangeable as a set.



*Refer to next page for the assembly instruction.

2. Addition of Caution Label (CO GAS)

(T/I# Y06036)

Item No.	Description	Type 1	Type 2
387	Label (Caution CO GAS)	-----	073-20059-70

